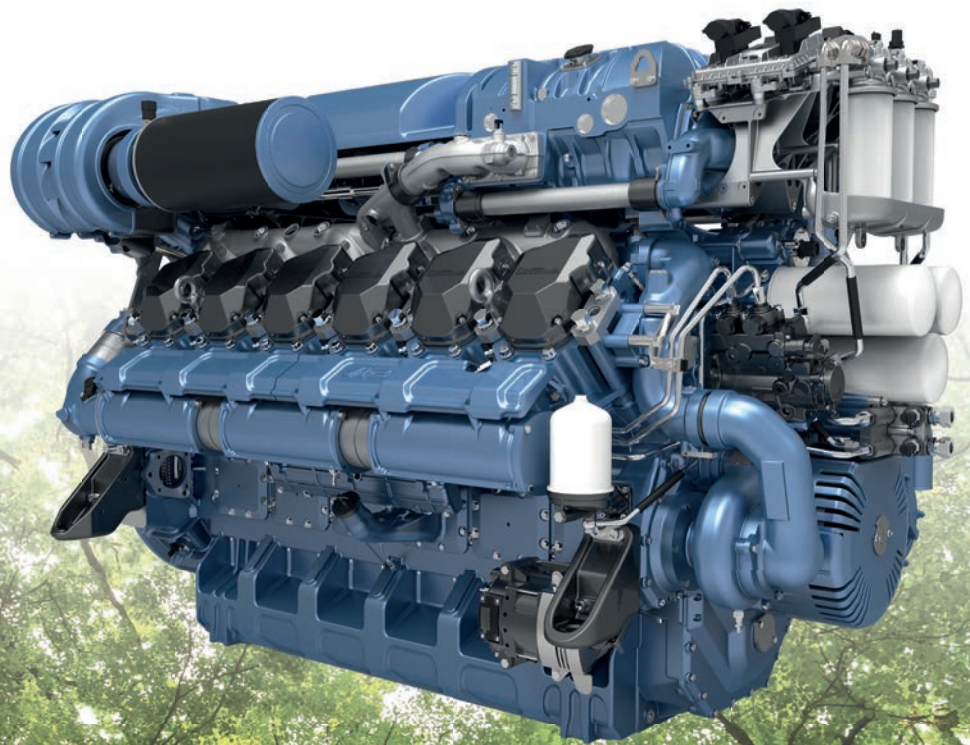


# Advanced Emissions Technology

## IMO III & EPA IV



MOTEURS  
**Baudouin**

## Challenging Emissions Standards

Marine engines are subject to ever-increasing exhaust gas emissions restrictions. Our new engines comply with the latest IMO and EPA standards defined for international seas, US coasts and recreational crafts.

In 2016, the International Maritime Organization (IMO) introduced the Tier III norm, requiring a reduction of NOx emissions. IMO III will be active in Emission Controlled Areas (ECA), which are in the process of being defined.

2017 Sees a new challenge for the marine world with the introduction of the stringent EPA Tier IV norm. EPA Tier IV requires a further reduction of NOx emissions of 70% and a reduction of particulates of 40% below the Tier III standard.

## Engine Development

Our Advanced M26.3 engines meet the IMO III and EPA Tier IV requirements, delivering superior fuel economy without compromising engine power.

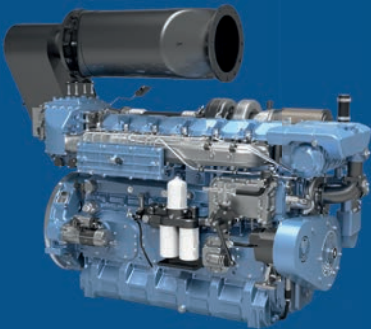
We have completely redesigned the combustion cycle by reworking the injection system and the combustion chamber, and recalibrating the injection parameters. This achieves a cleaner engine with improved performance without sacrificing reliability.

We developed an optimized Selective Catalyst Reduction System (SCR) to meet the stringent requirements of IMO III and EPA Tier IV standards. The SCR system is smaller, lighter and more flexible than most solutions available today on the market, reducing costs and space requirements for our customers while maximizing product reliability.

### Our Advanced Engines with SCR Deliver:

- + A cleaner engine with the same power
- + Up to 2% reduction in average fuel consumption
- + High degree of installation flexibility
- + Up to 25% noise reduction
- + Compact, modular design
- + Optimized maintenance schedule in line with the engine
- + Approved by most IACS Members

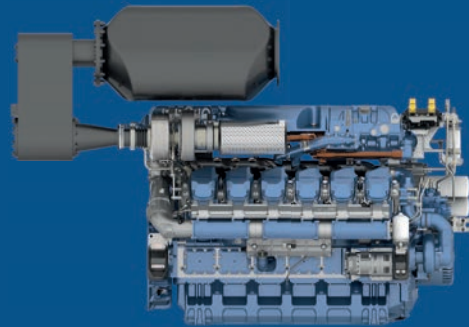
### 6 M26.3



Number of cylinders: 6 in line  
 Bore and stroke: 150 x 150 mm  
 Total displacement: 15.90 L  
 Dry Weight: 2185 kg  
 Common-rail injection

Rating	kW	Hp	rpm	g/kWh*	l/h*
P1	441	600	1800	197	103
P2	485	660	1800	207	119
P2	515	700	2000	203	124
P2	551	750	2100	209	137
P3	599	815	2100	216	154

### 12 M26.3



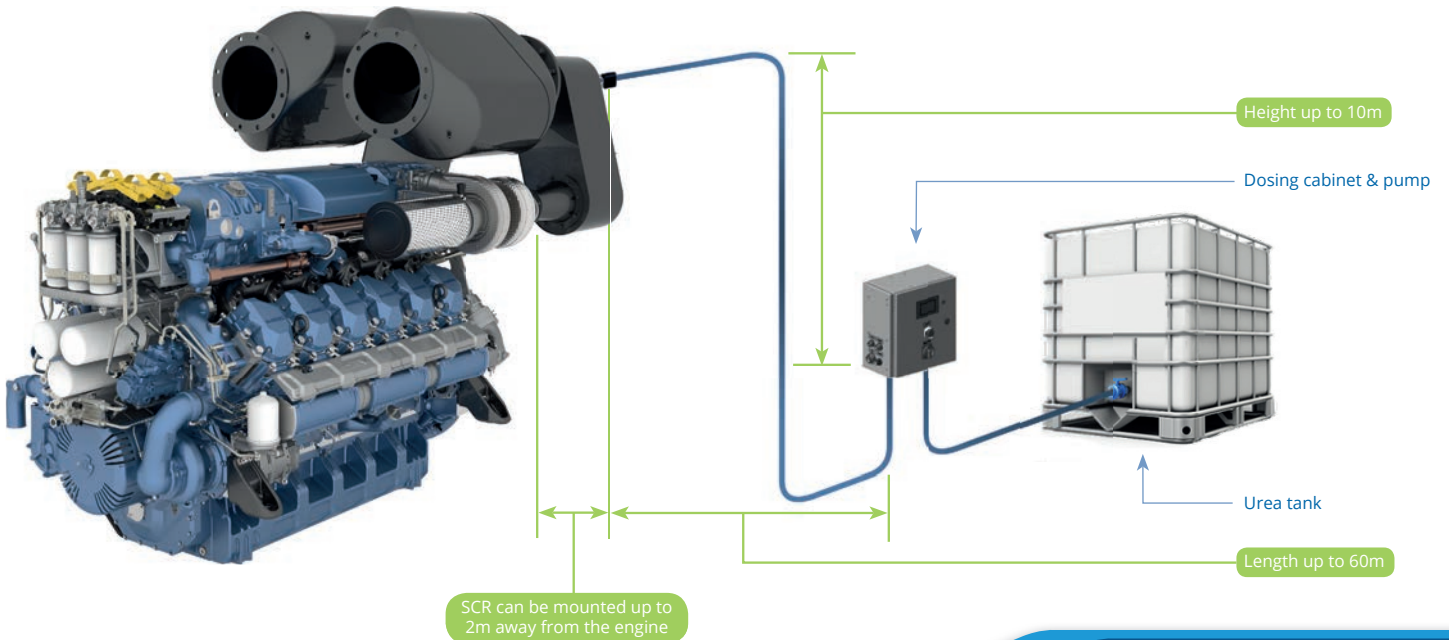
Number of cylinders: 12 V @ 90°  
 Bore and stroke: 150 x 150 mm  
 Total displacement: 31.80 L  
 Dry Weight: 3615 kg  
 Common-rail injection

Rating	kW	Hp	rpm	g/kWh*	l/h*
P1	883	1200	1800	197	207
P2	970	1320	1800	201	232
P2	1030	1400	2100	204	250
P2	1104	1500	2200	209	275
P3	1214	1650	2300	215	311

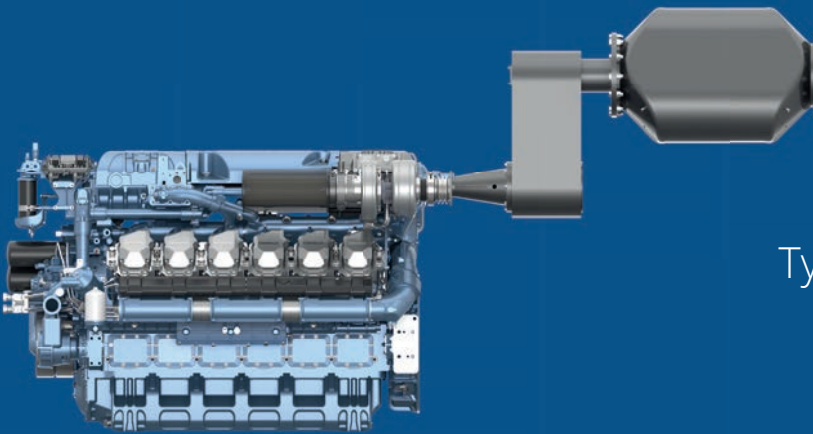
\*Fuel consumption is declared as per IMO III Cycle E3

## Superior Installation Flexibility

One of the biggest advantages of the Baudouin SCR System is the high degree of installation flexibility. You have the freedom to place the tank, pump and cabinet up to 60m away from the catalyst. Designed with our customers in mind, our SCR system can be installed over the gearbox, over the engine, or in a stand-alone configuration which offers exponential options for installation. These configurations offer complete flexibility in both new builds and repowering projects.



## Typical Over Gearbox Installation



## Typical Over Engine Installation



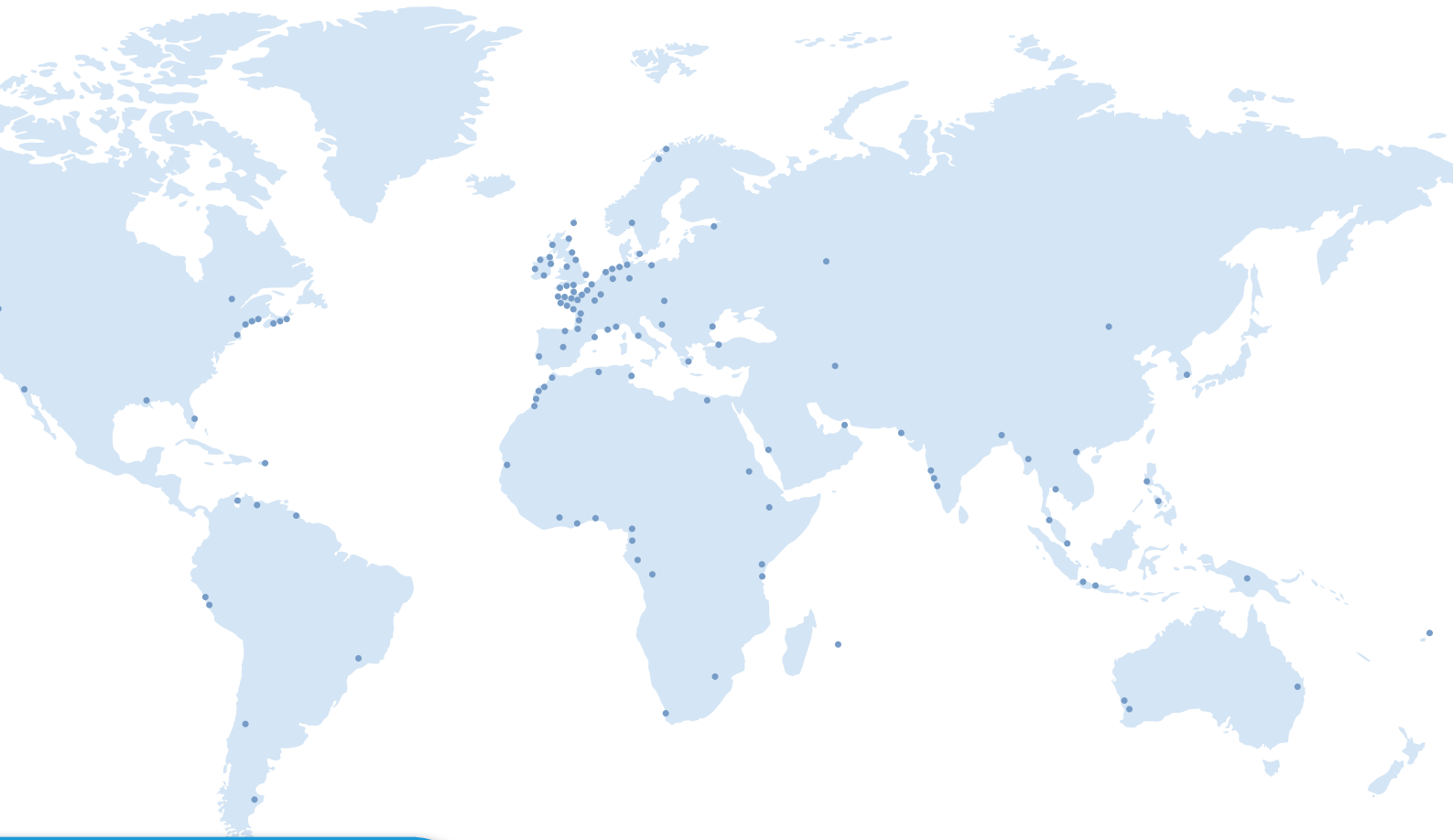
## Design Support

Full design support is available from Baudouin to help you integrate the system into your installation. We can provide advice on mounting, materials, storage, maintenance and dimensioning of the urea storage tank volume.



MOTEURS  
**Baudouin**

# Global Sales & Service



**MOTEURS**  
**Baudouin**

Technoparc du Brégadan  
13260 Cassis / France  
[Baudouin.com](http://Baudouin.com)